

M6



High end
Network RTK

Available

October





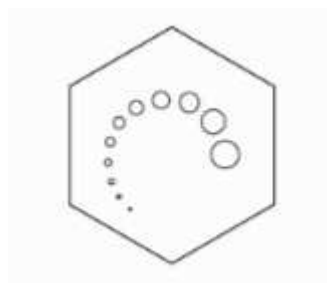
220-channel
All Constellation
Tracking

GPS: L1C/A, L1C, L2C, L2E, L5
GLONASS: L1C/A, L1P, L2C/A, L2P, L3
Galileo: E1, E5A, E5B
BDS: B1, B2
SBAS: L1C/A, L5

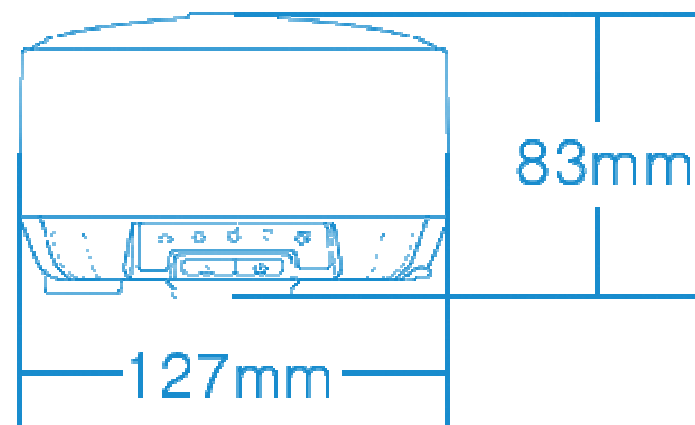


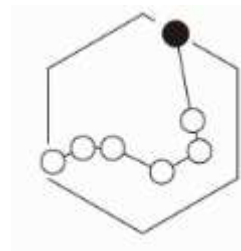


M6



127mm × 83mm
Portable size





Seamless Workflow

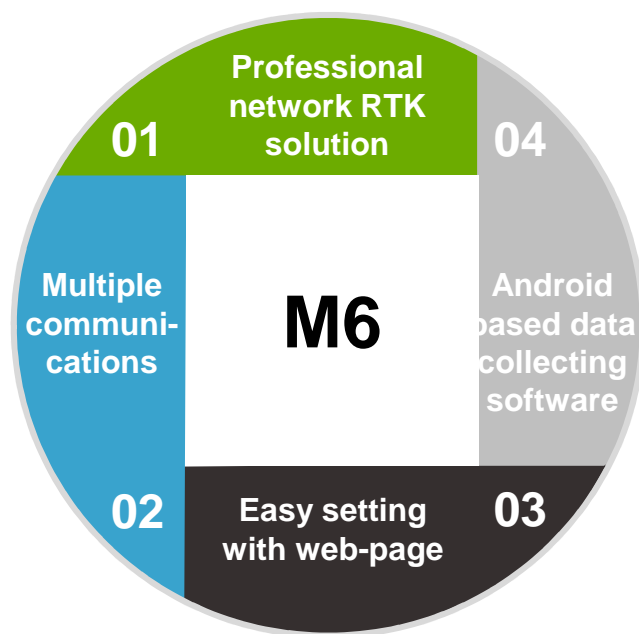
Internal 3G modem
PPK data collecting



LandStar 7

Android Based
Data Collection Software

Features & Benefits



Seamless working methods

Internal 3G modem provides CHC APIS corrections even in no-NTRIP cover region



Multiple Communications

Built-in Wi-Fi, Bluetooth and network modem
Support NTRIP, TCP, UDP and APIS protocol



Powerful Support from LandStar 7

LandStar 7 takes M6 to a new level

◆ M6 Specifications

- 220 channels tracking

GPS: L1C/A, L2C, L2E, L5

GLONASS: L1C/A, L1P, L2C/A, L2P, L3

Galileo: E1, E5A, E5B

BeiDou: B1, B2

- SBAS: WAAS, EGNOS, MSAS

- Real Time Kinematics (RTK)

- Horizontal: ± 8 mm + 1 ppm RMS

Vertical: ± 15 mm + 1 ppm RMS

- Post Processing Static

- Horizontal: 3 mm + 0.1 ppm RMS

Vertical: 5 mm + 0.4 ppm RMS

- Protocols

- CMR, CMR+, sCMRx input and output

- RTCM 2.1, 2.2, 2.3, 3.0, 3.2 input and output

- NMEA 0183 output

- HCN, HRC and RINEX static formats

- NTRIP Client, NTRIP Caster

- Communications

- Serial: 7-pin LEMO port (external power, USB)

- Serial: 7pin LEMO port (external power, RS-232)

- Cellular: Internally integrated 3.75G modem

- HSPA+ 21 Mbps (download), 5.76 Mbps (upload)

- WCDMA 850/900/1700/1900/2100

- EDGE/GPRS/GSM 850/900/1800/1900

- Bluetooth®: Internally integrated multimode system

compatible with Android, Windows Mobile and Windows desktop operating systems

- WiFi: 802.11 b/g/n, access point mode/Station

◆ M6 Specifications

- Hardware

- Environment
- Operating: -40°C to $+85^{\circ}\text{C}$ (-40°F to 185°F)
- Storage: -55°C to $+85^{\circ}\text{C}$ (-67°F to 185°F)
- Humidity: 100% condensation
- Dust and Waterproof: IP67,
protected from temporary immersion to depth of 1 m
(unit floats)
- Shock and vibration: 2 m (6.56 ft) pole drop onto concrete
- LED: Five LED lights with function/accept buttons

- Electrical

- Power consumption: $<3.8\text{ W}$
- Li-ion battery capacity: 3400 mAh, 7.4 V
- Operating time:
 - RTK Rover: 5 h
 - Static: 6 h
- External power: 12 to 36 V DC

Why we select M6?

- 📍 For much freedom in field work;
- **Internal 3G, PPK**
- 📍 For more efficient switching work mode;
- **Switch button**
- 📍 For visual states checking;
- **Five LED indicators**
- 📍 For more comprehensive network solution;
- **WIFI AP/Station**